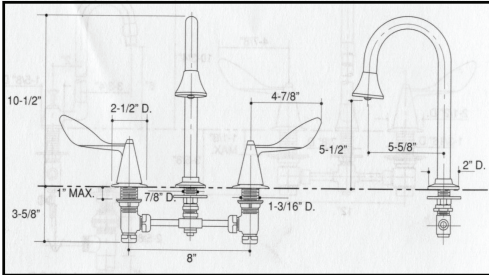
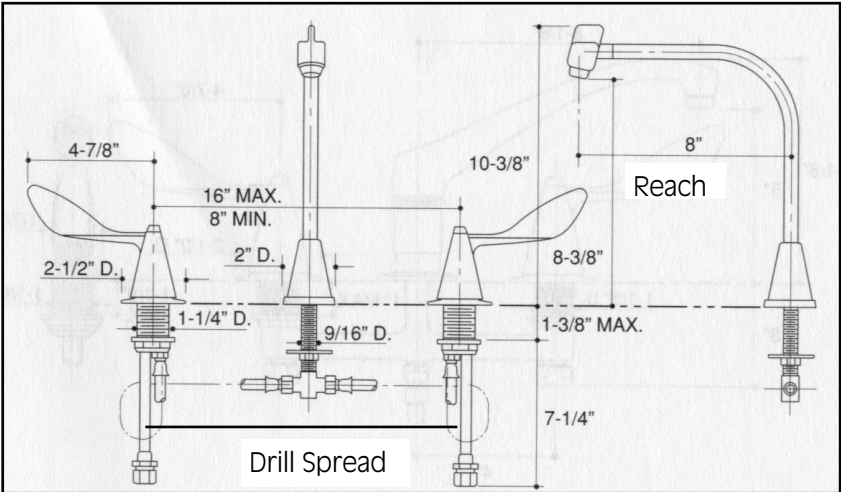


Faucet Specifications



The faucet pictured left illustrates a fixed spread.
 Drill Spread: 8" straight & fixed.
 Diameter: 1" for spout & 1 3/8" for Handles
 Escutcheon: Unspecified
 Reach: 5 5/8" Spout Height: 10 1/2"

Right. This faucet illustrates an adjustable drill spread.
 Drill Spread: 8-16" Straight or Radius
 Diameter: 9/16" for spout & 1 1/4" for handles.
 Escutcheon: 2" on Spout & 2 1/2" on handles.
 Reach: 8"
 Spout Height: 8 3/8"



And more details...

Few of us realize just how intimate we are with the location of our faucet until it's not where we want it. Have you ever hit your hand on the ledge or window sill above your sink when turning on the water? We're trying to avoid this when we ask for the height of your faucet.

In a hotel, brushing your teeth and a glass is not handy; have you ever been horrified at how close your face was to the sink when trying to rinse your mouth? That's why we need to know the "reach" of your faucet.

Is it difficult or nearly impossible to clean the water deposits on your counter between the faucet and it's

handles? A wider or radius drill spread can improve this situation.

It is our opinion that such details can make or break a job. Please keep this in mind when we start hounding you for this information. We really just want you to 1) be happy with our work and 2) avoid any added charges for you.

Why are there up charges for drilling holes on site?

- At the site cabinets must be protected from the water we use when we drill. Additional time is also spent in the clean up.
- In the shop we have the ability to use a drill press or drill the hole while standing directly over it. In the field we have to reach

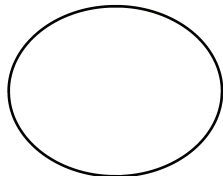
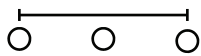
from the front of the counter. This increases the

Why can't I just bring you my faucet?

- You can and this will provide us with the parameters of your faucet, but we still will not know your preferences.
- We will not be held liable for any claims of damage or missing parts to faucets left on our facility. To properly check-in your faucets we would have to check the box upon receipt for any damage or missing parts. Since we are not plumbers this would be a costly process. With the expense and special finishes of many of the new faucets, we opt not to handle them in fear of damaging them.

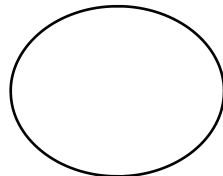
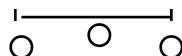
Therefore, faucet specifications are required prior to installation.

Drill Spread



Straight

Drill Spread



Radius

from the front of the counter. This increases the



TILE & DESIGN

310 W. Wilshire Blvd.
 Oklahoma City, OK 73116
 P (405) 842.8551
 F (405) 843.5876